

EPROM Version 5.100 Specifications

Current EPROM Version: 5.100
EPROM Release Date: 5/1/99
Previous EPROM Version: 5.022

256XL EPROM Part Number: 5280303
1024XL EPROM Part Number: 5280304
1536XL EPROM Part Number: 5280305

New Menu Structure

The new menus released for the XL Series Analyzers are designed to be easier to learn and use. As before, there are three menus. These menus are shown in detail on the following pages.

Main Menu

The main menu has the most basic functions and does not allow files to be deleted or transferred without a DynaCard. As before, putting the Analyzer into download or upload mode causes the Analyzer to simply wait for a signal from a PC.

Options Menu

As with previous EPROM versions, this menu requires a DynaCard to gain access. This menu closely resembles previous versions. Wording has been changed to clearly convey function meanings.

Setup Menu

This menu has been reordered and reworded to simplify use. Analyzer settings are now shown with a “✓” character and the effects of these settings are also more clearly specified.

AUTO Sequence Command

The AUTO is designed to sense that a harness has been removed from the test fixture. Usually this command is used to prevent repeating the test sequence until the harness has been removed. As always, the AUTO command parameter refers to a netlist. The new AUTO command more completely tests this specified netlist to insure that the harness has been completely removed.

Previous Execution

The previous version of the AUTO command simply checked the first wire in the netlist for continuity. When this wire was removed from the fixture, continuity was broken and the Analyzer assumed that the harness was being removed and continued with the sequence.

New Execution

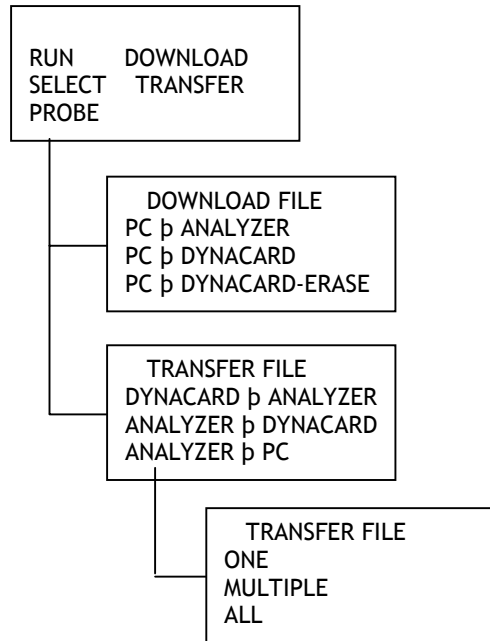
The new AUTO command checks the entire specified netlist to ensure that the harness has been removed. This test not only checks the circuits for lack of continuity but also checks all devices to verify their removal. Only when the entire harness has been removed will the Analyzer continue with the next sequence command.

The AUTO test will now display errors (much like the stop-on-error mode) if the UP ARROW key is pressed.

EPROM Version 5.100 Specifications

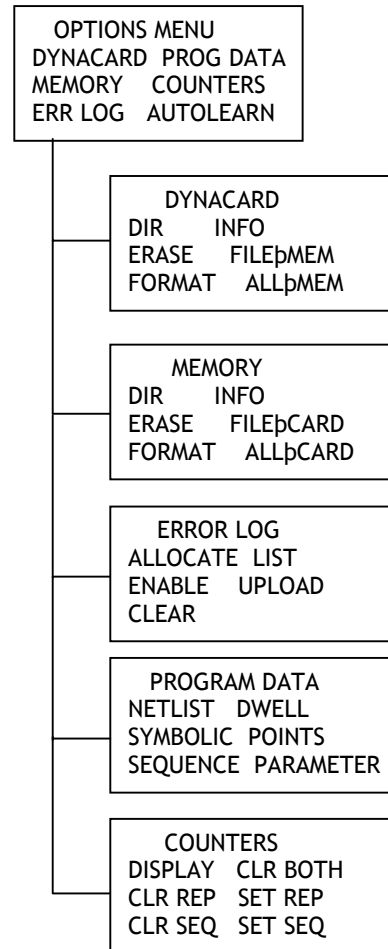
Main Menu

Automatically displayed on power up



Options Menu

From Main Menu, insert DynaCard and press STOP.
Press STOP to return to Main Menu.



Setup Menus

Power up Analyzer with DynaCard inserted and STOP button pressed.

Return to Main Menu by turning Analyzer power off and switching back on

